

sunshower®

health & wellbeing

SOLO

WALL MOUNTED | FULL BODY | INFRARED

ARTICLE NO. 80076 / 80066

TECHNICAL SPECIFICATIONS

SESSION TIME	10 MINUTES + 5 MINUTES COOLING
DIMENSIONS (H*W*D)	1238 * 199 * 180 MM
NET HEIGHT	9.2 KG
IP-CODE	IPX5
VOLT/FREQUENCY	230 V~ / 50Hz
POWER	1550 W
INSULATION CLASS	II
LAMP TYPE	2X IR USHIO 750 W
TEMPERATURE RANGE	10°C - 40°C
HUMIDITY RANGE	20% - 100%



INSTALLATION

- Mounts on two brackets in a 90° corner of your shower cabin
 - One bracket at the bottom, installed on both walls
 - One bracket at the top, installed on one wall
- Suitable for installation in the shower cabin
- Not suitable for installation in a steam cabin

ELECTRICS

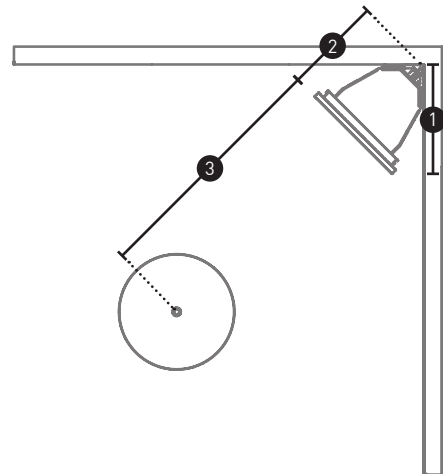
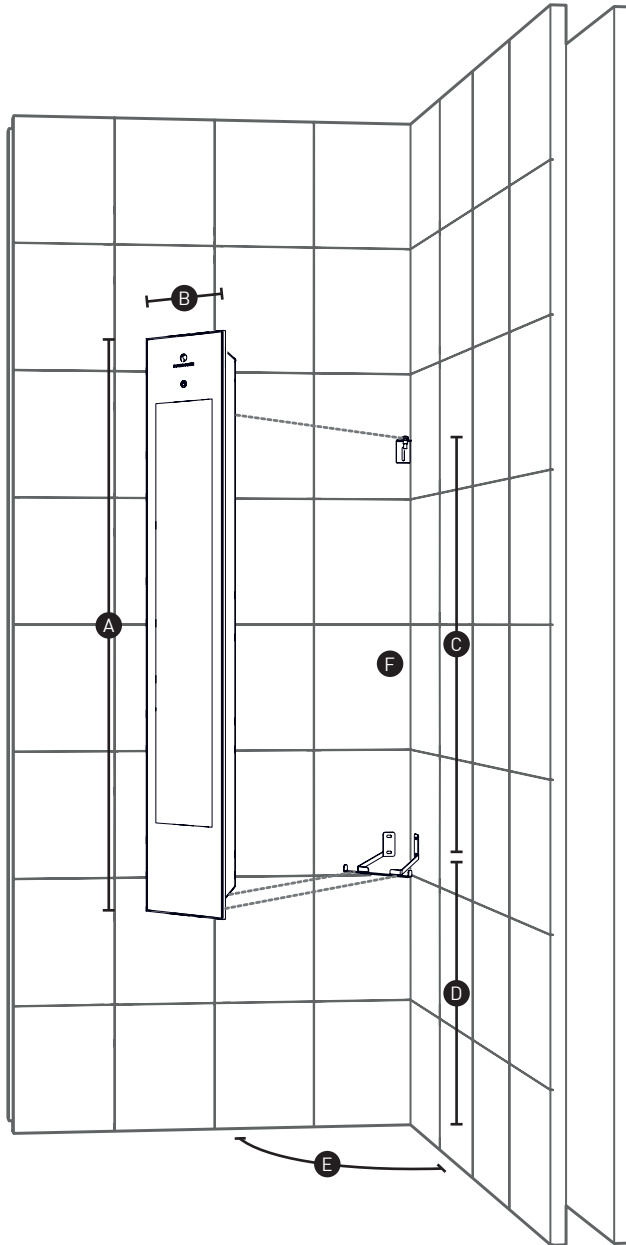
- Can be added to an existing fuse group
- YMKV cable 2x2,5mm²
- Connect to 30mA ground fault circuit interrupter
- Electric wiring in waterproof junction box (delivered with unit) on the backside of the Sunshower

VENTILATION

- Integrated ventilation system

sunshower®

health & wellbeing



- A 1238 mm
- B 199 mm
- C 1000 mm
- D 520 mm
- E 90°
- F Electrical connection

- 1 200 mm
- 2 185 mm
- 3 450 mm